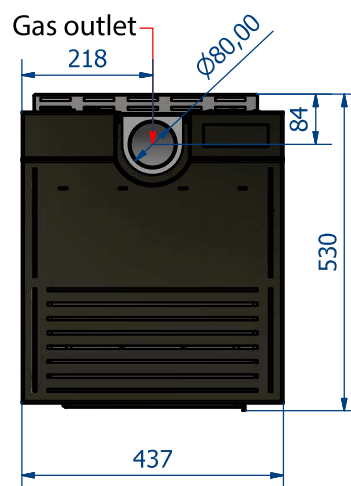
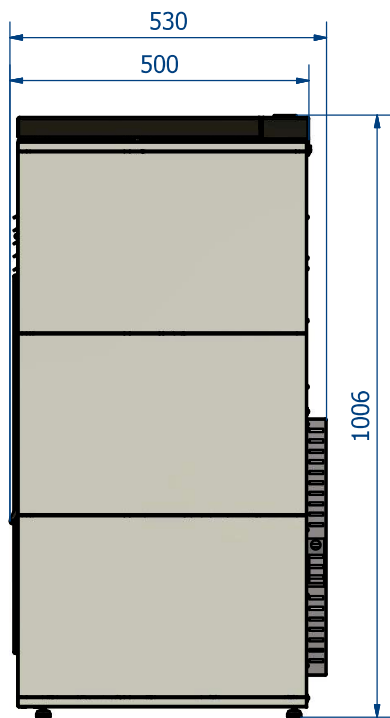


AIR

Venus 6 **A+**

www.ferlux.es

CHIMENEAS Y BARBACOAS FERLUX, S.A.
POLIG. INDUST. EL POLEAR, PARC. 1
29313 VILLANUEVA DEL TRABUCO MALAGA (ESPAÑA)
TEL. +34 952 03 11 17 FAX +34 952 03 11 18



Imperial red



White-pearl



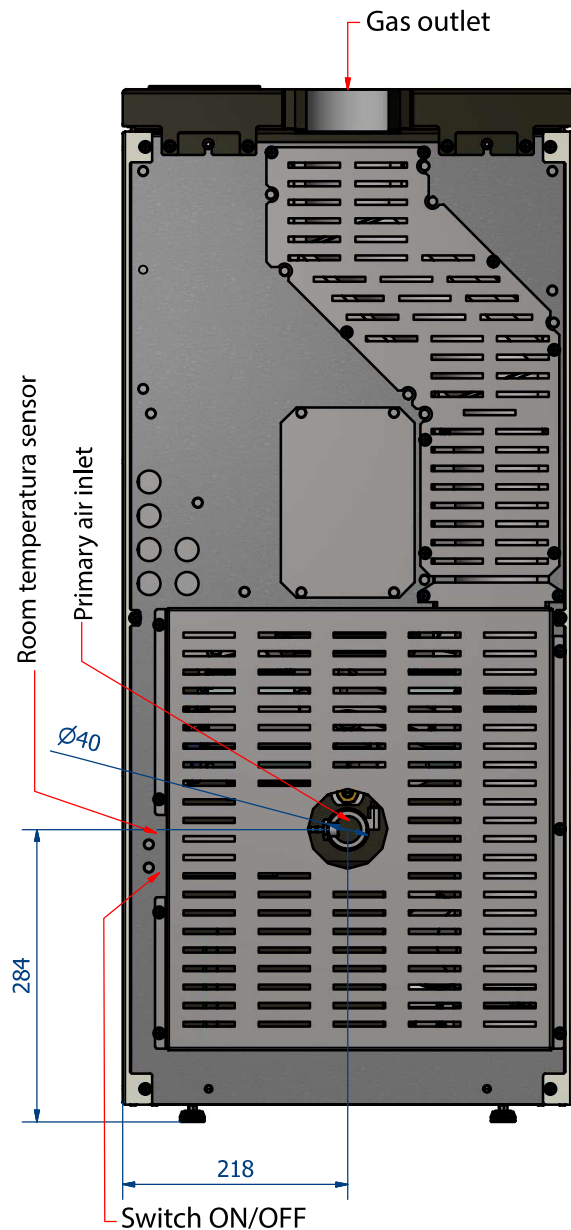
Marrom Vintage



Black



CHIMENEAS Y BARBACOAS FERLUX, S.A.
 POLIG. INDUST. EL POLEAR, PARC. 1
 29313 VILLANUEVA DEL TRABUCO MALAGA (ESPAÑA)
 TEL. +34 952 03 11 17 FAX +34 952 03 11 18



Technical data

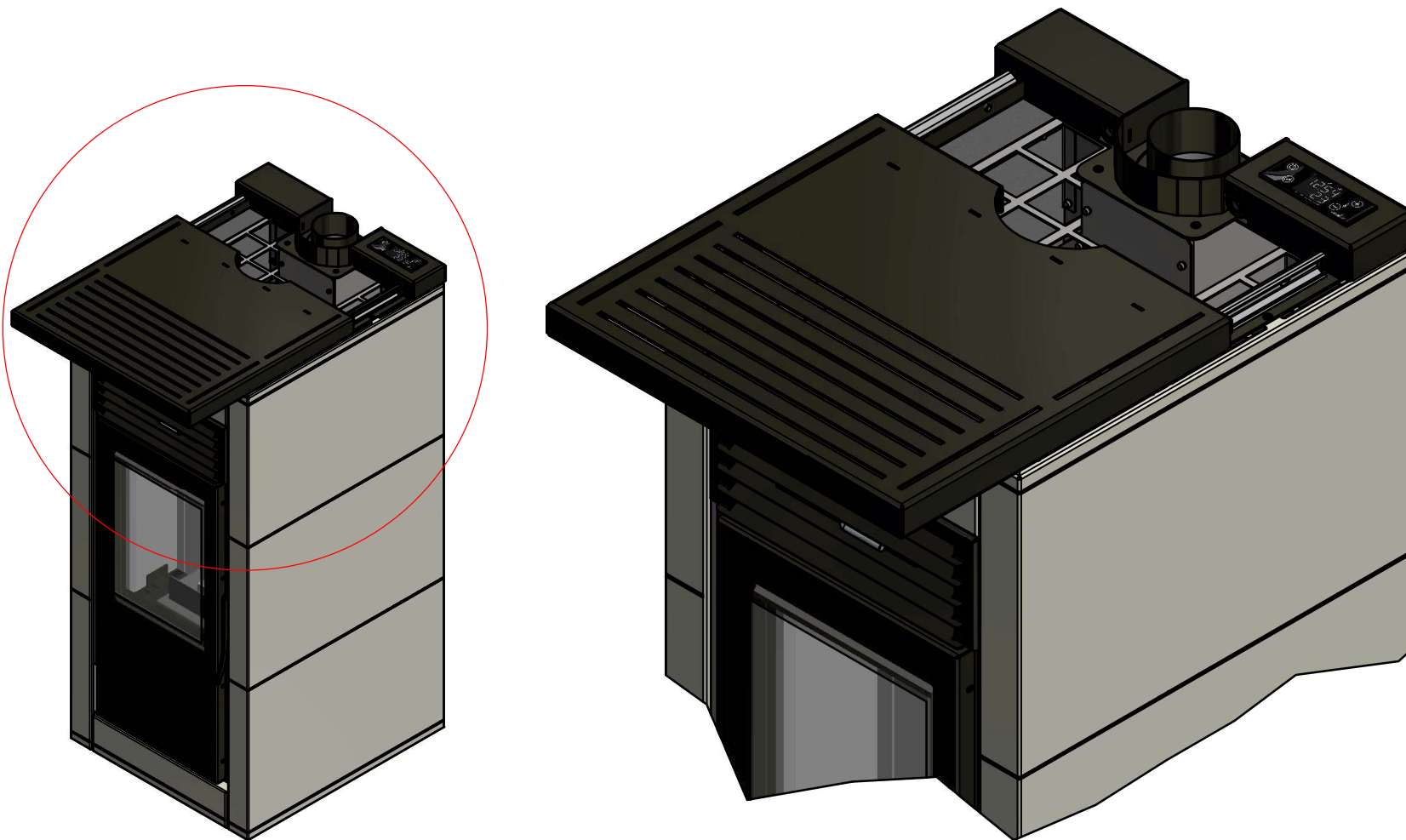
RATED THERMAL POWER	6,1 KW
AMBIENT THERMAL POWER	6,1 KW
REDUCED THERMAL POWER	2,8 KW
PERFORMANCE P.T.RATED*	90%
PERFORMANCE P.T.REDUCED,**	94%
CONSUMPTION (MIN-MAX)	0,6 KG - 1,4 KG
AUTONOMY (MIN-MAX)	35 - 15 HOURS
EMISSIONS CO TO 13% DE O ₂ (P.T.N. - P.T.R.)	0,01% - 0,04%
PARTICULATE - DGC - NOX (13% O ₂ mg/Nm ³)	16 - 30 - 99
TEMPERATURA OF SMOKES (P.T.R. - P.T.R.)	168 °C - 97 °C
HEATABLE VOLUME	150 M ³
DIAMETER OF SMOKE OUTLET	80 MM
DIAMETER OF PRIMARY AIR INLET	40 MM
WEIGHT	103 KG
TANK CAPACITY	21 KG

Electrical requirements

POWER SUPPLY	220 - 230 V
FREQUENCY	50 - 60 Hz
ELECTRICAL POWER TURNED ON	300 W
AVERAGE POWER ABSORBED	60 W

DETAIL OF SLIDE COVER:

CHIMENEAS Y BARBACOAS FERLUX, S.A.
POLIG. INDUST. EL POLEAR, PARC. 1
29313 VILLANUEVA DEL TRABUCO MALAGA (ESPAÑA)
TEL. +34 952 03 11 17 FAX +34 952 03 11 18

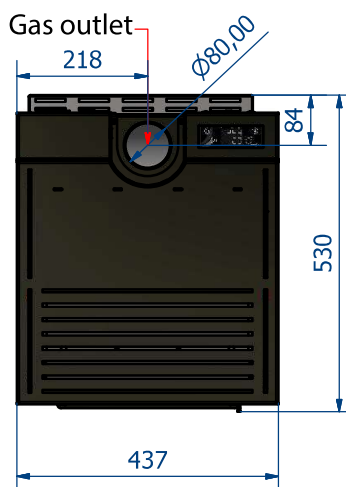
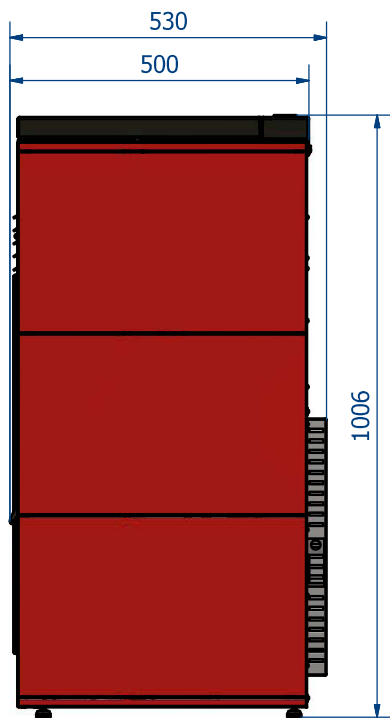


AIR

Venus 8 **A+**

www.ferlux.es

CHIMENEAS Y BARBACOAS FERLUX, S.A.
POLIG. INDUST. EL POLEAR, PARC. 1
29313 VILLANUEVA DEL TRABUCO MALAGA (ESPAÑA)
TEL. +34 952 03 11 17 FAX +34 952 03 11 18



Imperial red



White pearl



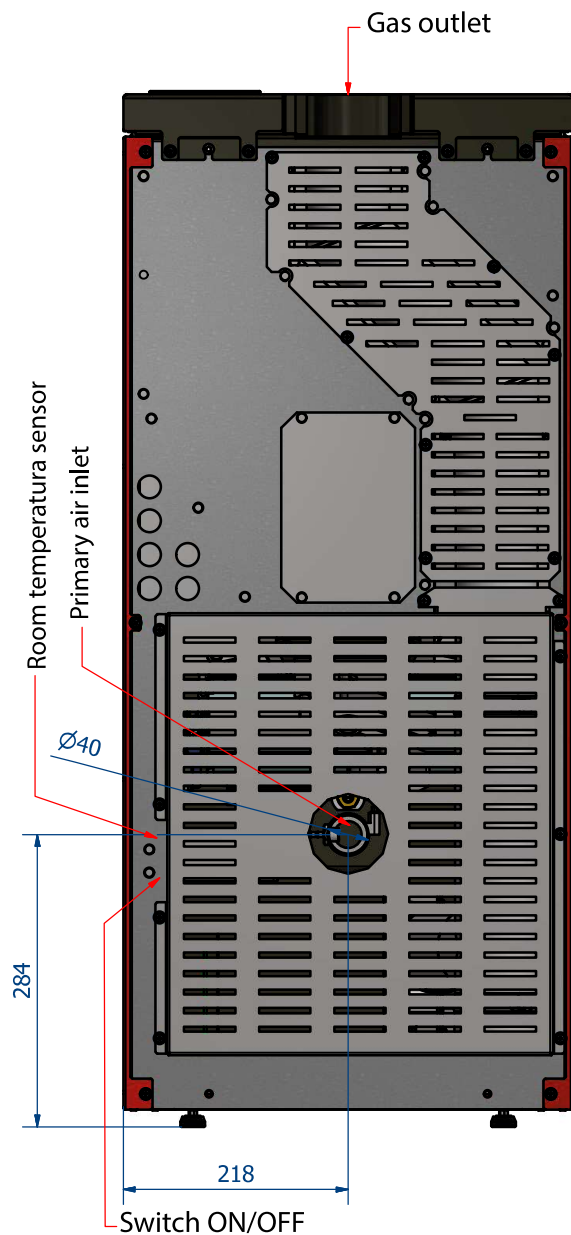
Marrom Vintage



Black



CHIMENEAS Y BARBACOAS FERLUX, S.A.
 POLIG. INDUST. EL POLEAR, PARC. 1
 29313 VILLANUEVA DEL TRABUCO MALAGA (ESPAÑA)
 TEL. +34 952 03 11 17 FAX +34 952 03 11 18



Technical data

RATED THERMAL POWER	8,2 KW
AMBIENT THERMAL POWER	8,2 KW
REDUCED THERMAL POWER	2,8 KW
PERFORMANCE P.T.RATED*	88%
PERFORMANCE P.T.REDUCED,**	94%
CONSUMPTION (MIN-MAX)	0,6 KG - 1,9 KG
AUTONOMY (MIN-MAX)	35 - 11 HOURS
EMISSIONS CO TO 13% DE O ₂ (P.T.N. - P.T.R.)	0,01% - 0,04%
PARTICULATE - DGC - NOX (13% O ₂ mg/Nm ³)	10 - 8 - 134
TEMPERATURA OF SMOKES (P.T.R. - P.T.R.)	142 °C - 62 °C
HEATABLE VOLUME	195 M ³
DIAMETER OF SMOKE OUTLET	80 MM
DIAMETER OF PRIMARY AIR INLET	40 MM
WEIGHT	103 KG
TANK CAPACITY	21 KG

Electrical requirements

POWER SUPPLY	220 - 230 V
FREQUENCY	50 - 60 Hz
ELECTRICAL POWER TURNED ON	300 W
AVERAGE POWER ABSORBED	60 W

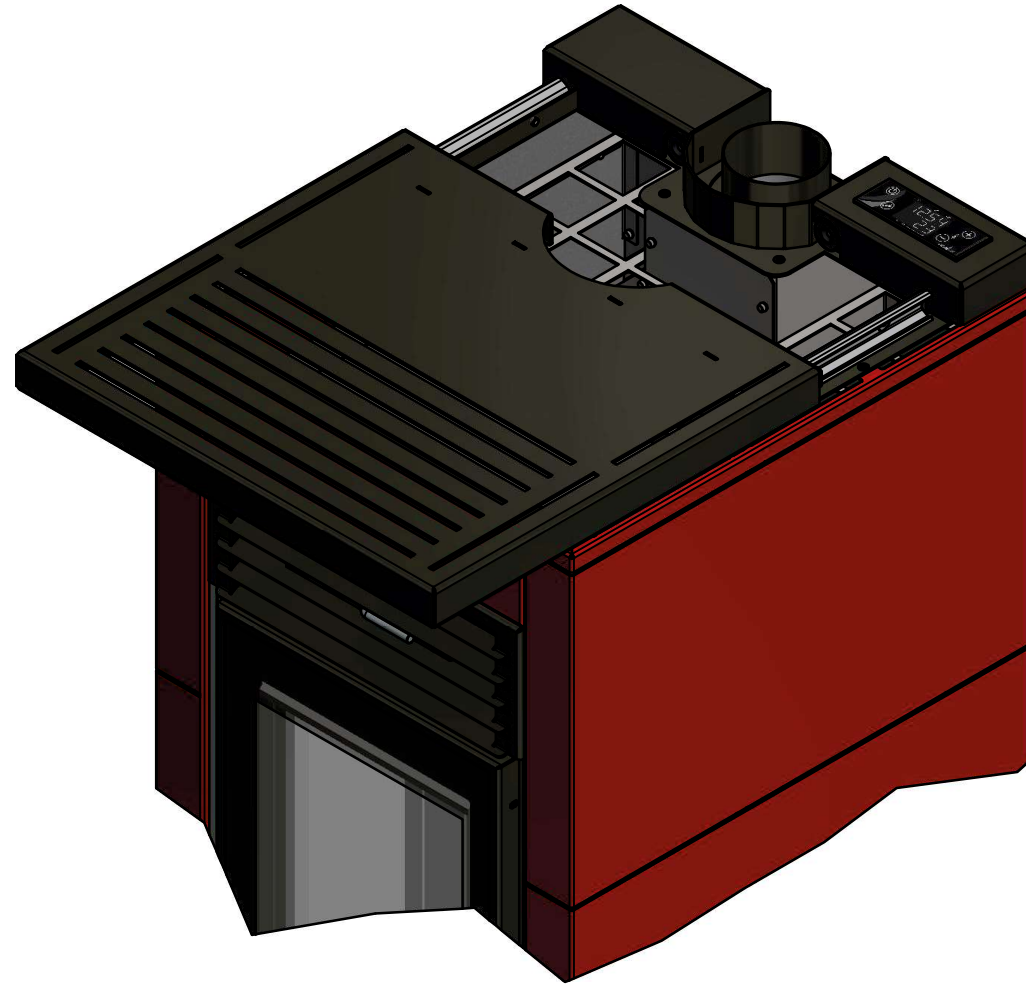
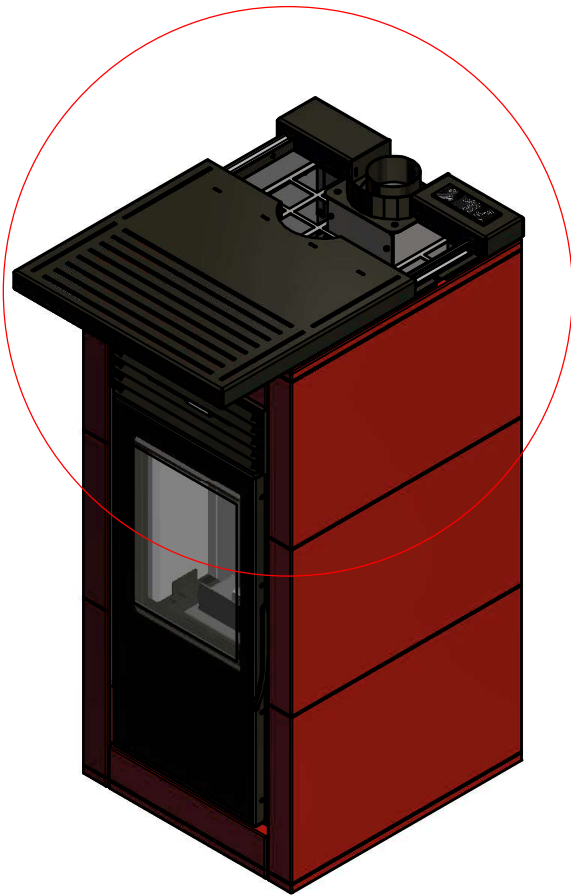
AIR

Venus 8 **A+**

www.ferlux.es

DETAIL OF SLIDE COVER:

CHIMENEAS Y BARBACOAS FERLUX, S.A.
POLIG. INDUST. EL POLEAR, PARC. 1
29313 VILLANUEVA DEL TRABUCO MALAGA (ESPAÑA)
TEL. +34 952 03 11 17 FAX +34 952 03 11 18

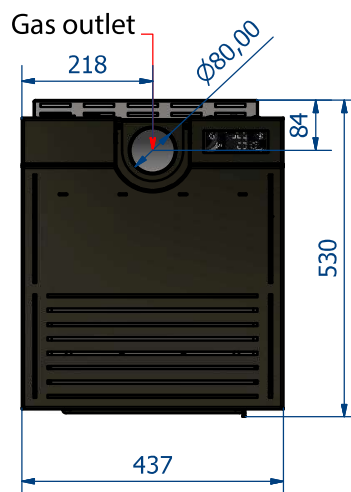
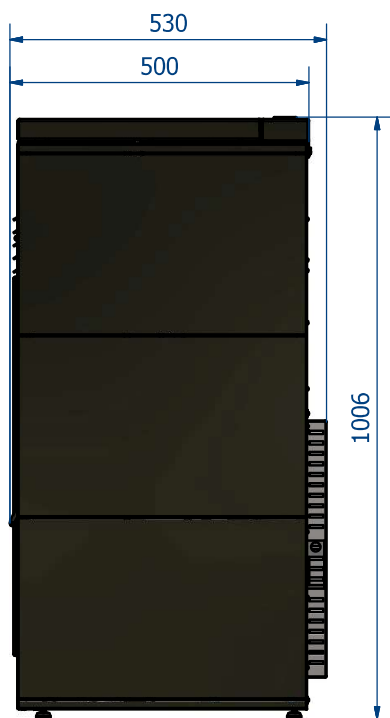


AIR

Venus 10 **A+**

www.ferlux.es

CHIMENEAS Y BARBACOAS FERLUX, S.A.
POLIG. INDUST. EL POLEAR, PARC. 1
29313 VILLANUEVA DEL TRABUCO MALAGA (ESPAÑA)
TEL. +34 952 03 11 17 FAX +34 952 03 11 18



Imperial red



White pearl



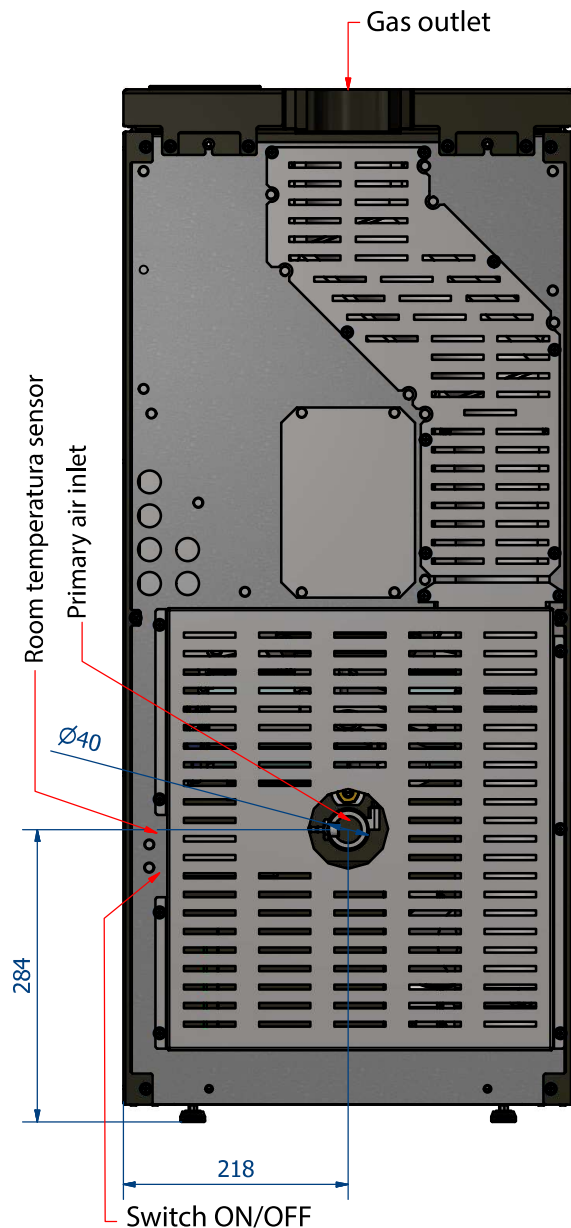
Marrom Vintage



Black



CHIMENEAS Y BARBACOAS FERLUX, S.A.
 POLIG. INDUST. EL POLEAR, PARC. 1
 29313 VILLANUEVA DEL TRABUCO MALAGA (ESPAÑA)
 TEL. +34 952 03 11 17 FAX +34 952 03 11 18



Technical data

RATED THERMAL POWER	9,5KW
AMBIENT THERMAL POWER	9,5 KW
REDUCED THERMAL POWER	2,8 KW
PERFORMANCE P.T.RATED*	88%
PERFORMANCE P.T.REDUCED.**	94%
CONSUMPTION (MIN-MAX)	0,6 KG - 2,2 KG
AUTONOMY (MIN-MAX)	35 - 10 HOURS
EMISSIONS CO TO 13% DE O ₂ (P.T.N. - P.T.R.)	0,02% - 0,04%
PARTICULATE - OGC - NOX (13% O ₂ : mg/Nm ³)	17 - 8 - 134
TEMPERATURA OF SMOKES (P.T.R. - P.T.R.)	159 °C - 62 °C
HEATABLE VOLUME	245 M ³
DIAMETER OF SMOKE OUTLET	80 MM
DIAMETER OF PRIMARY AIR INLET	40 MM
WEIGHT	103 KG
TANK CAPACITY	21 KG

Electrical requirements

POWER SUPPLY	220 - 230 V
FREQUENCY	50 - 60 Hz
ELECTRICAL POWER TURNED ON	300 W
AVERAGE POWER ABSORBED	60 W

AIR

Venus 10 **A+**

www.ferlux.es

DETAIL OF SLIDE COVER:

CHIMENEAS Y BARBACOAS FERLUX, S.A.
POLIG. INDUST. EL POLEAR, PARC. 1
29313 VILLANUEVA DEL TRABUCO MALAGA (ESPAÑA)
TEL. +34 952 03 11 17 FAX +34 952 03 11 18

